
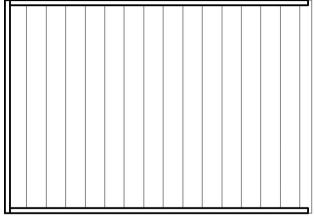
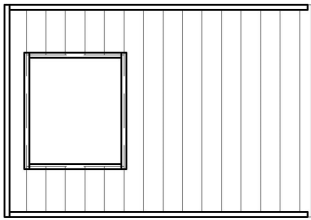
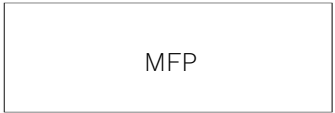
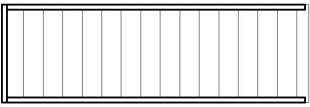
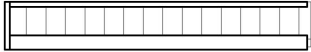
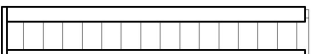

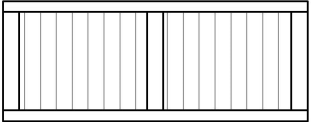
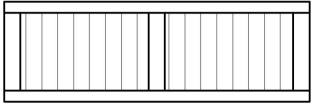


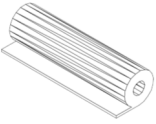
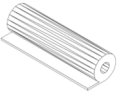

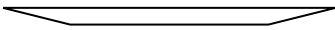






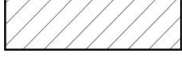


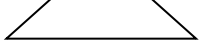
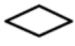



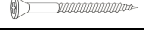
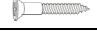


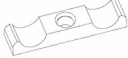
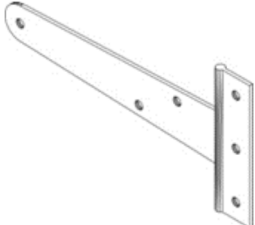
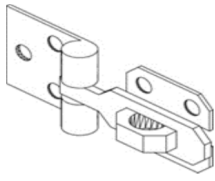
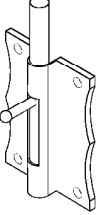

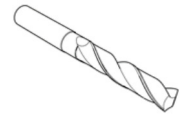
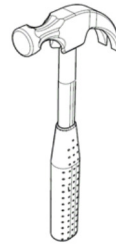
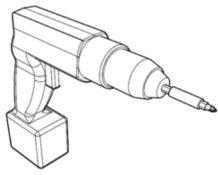


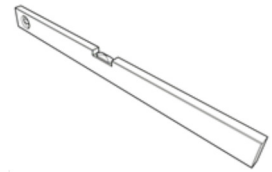
ID	Details in mm (Tolerance/Toleranz ...+ 2mm)	Pcs.	ID	Details in mm (Tolerance/Toleranz ...+ 2mm)	Pcs.
918	16 x 1174 x 1770 	x 1	283	47 x 1174 x 1703 	x 2
284	47 x 1174 x 1703 	x 1	919	16 x 540 x 1770 	x 1
285	47 x 540 x 1703 	x 3	286	47 x 265 x 1703 	x 1
287	47 x 265 x 1703 	x 1	288	47 x 524 x 1770 	x 2
289	30 x 665 x 1690 	x 1	290	30 x 545 x 1690 	x 1
516	12 x 830 x 1150 	x 4	679	12 x 230 x 1150 	x 2
536	1 x 1000 x 2000 	x 2	524	1 x 500 x 2000 	x 1
922	28 x 28 x 1770 	x 5	807	28 x 28 x 1021 	x 8
802	28 x 28 x 945 	x 4	814	28 x 28 x 1184 	x 1
792	28 x 28 x 370 	x 2	738	17,5 x 45 x 1680 	x 4

ID	Details in mm (Tolerance/Toleranz ...+ 2mm)	Pcs.	ID	Details in mm (Tolerance/Toleranz ...+ 2mm)	Pcs.
623	12 x 70 x 1680 	x 11	614	12 x 70 x 1165 	x 4
572	12 x 42 x 670 	x 2	570	12 x 42 x 505 	x 2
703	15 x 15 x 529 	x 2	630	12 x 90 x 450 	x 4
628	12 x 90 x 201 	x 2	557	3 x 530 x 610 	x 1
1505	Ø4,5 x 50 	x 76	1506	Ø3,5 x 35 	x189
1507	Ø3,5 x 30 	x 50	1508	Ø4 x 25 	x 10
1512	Ø1,4 x 25 	x 9	1513	Ø3 x 10 	x136
1556		x 2			
1516		x 6	1518		x 1
1517		x 2	1553		x 1



Ø 4 mm

Ø 8 mm



1.

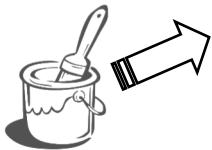
50 mm x 6 St



4 mm



922



2.

35 mm x 18 St



922



918

2.1



3.

35 mm x 12 St

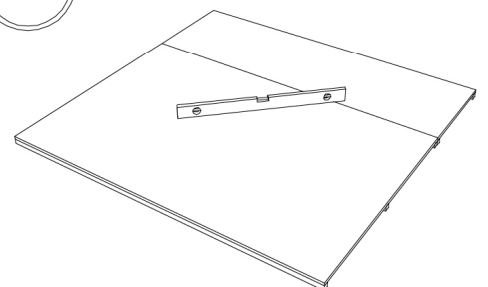


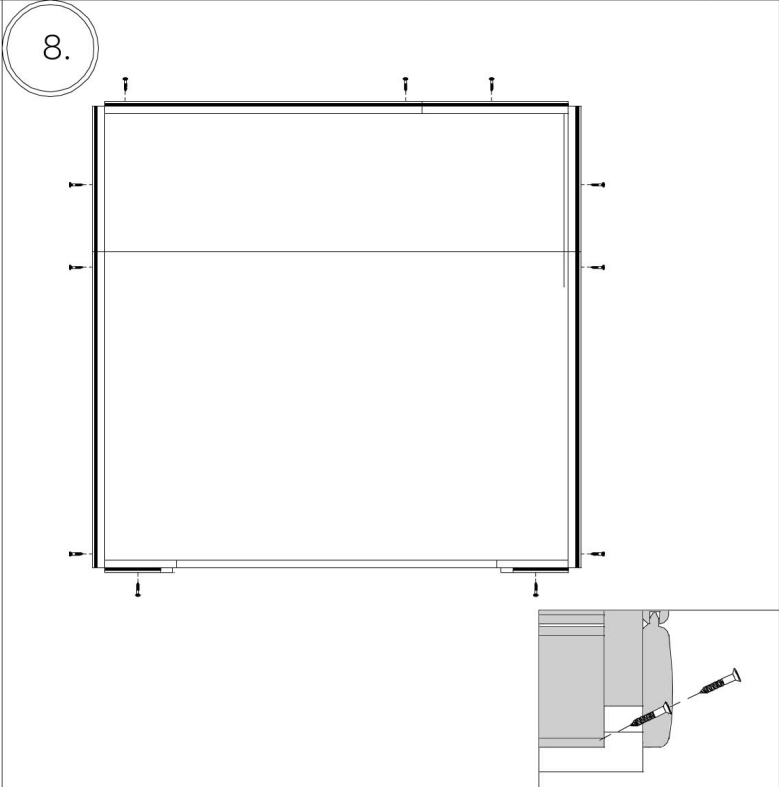
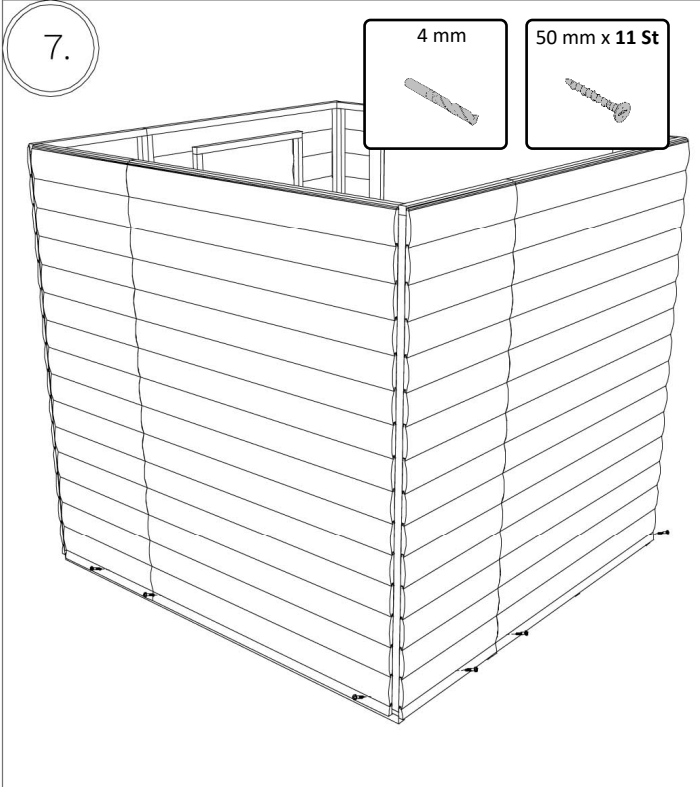
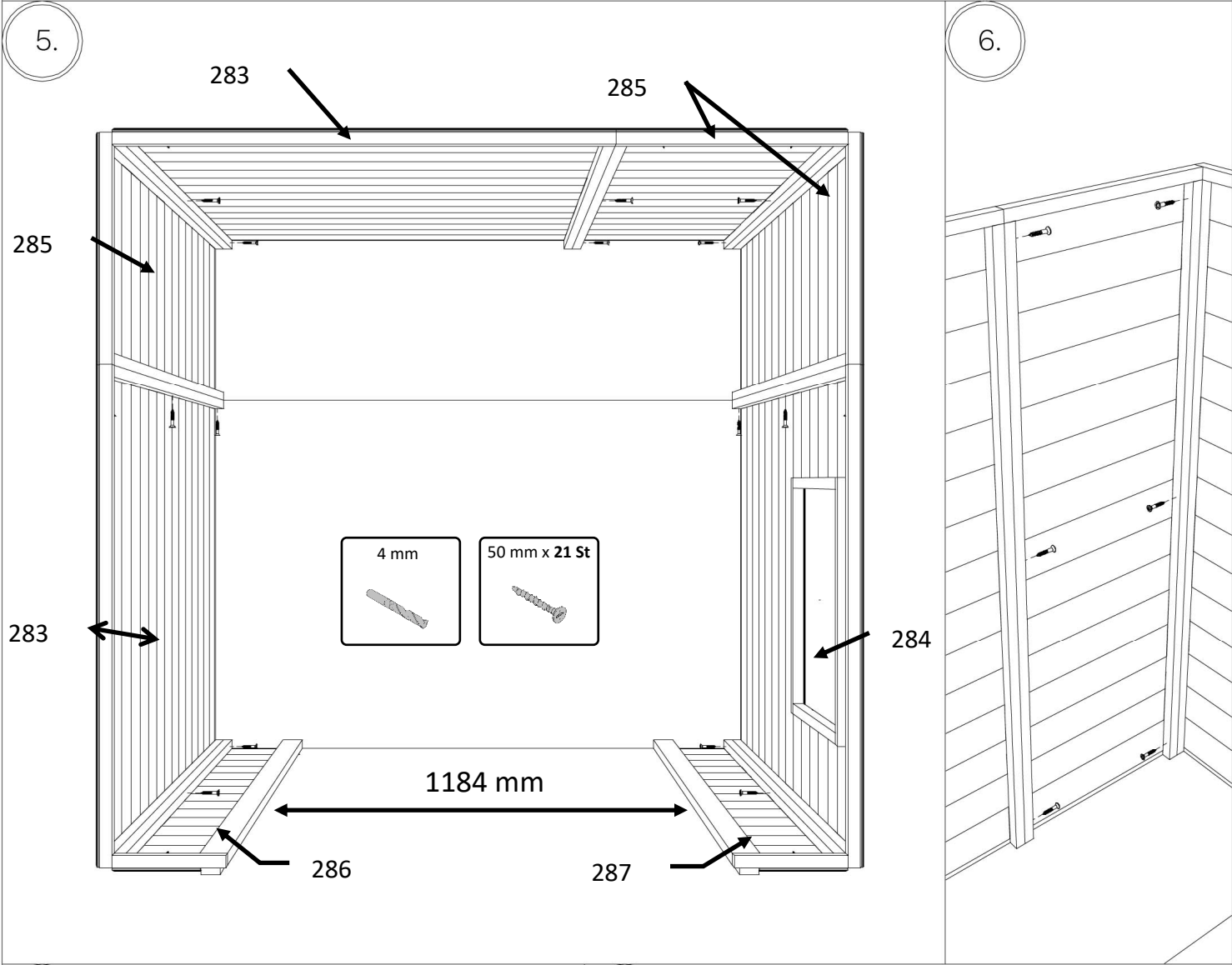
919

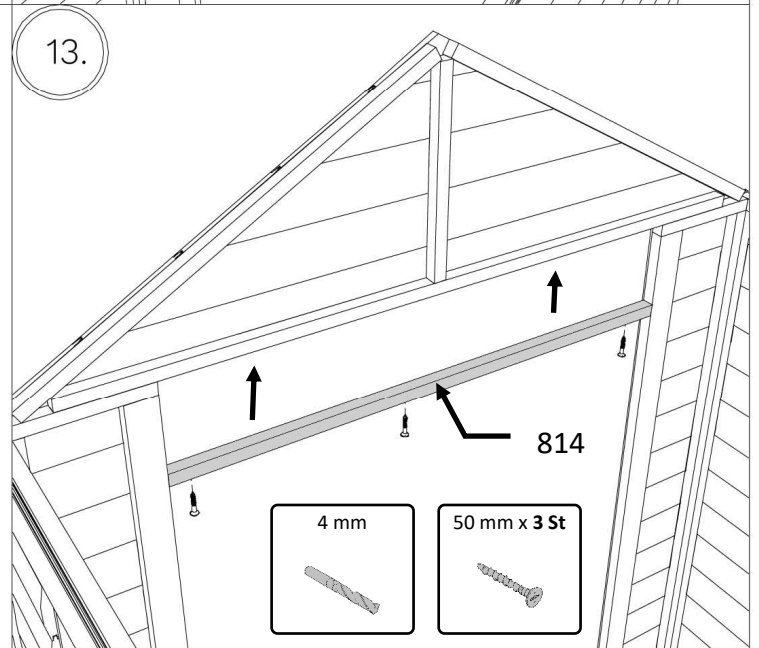
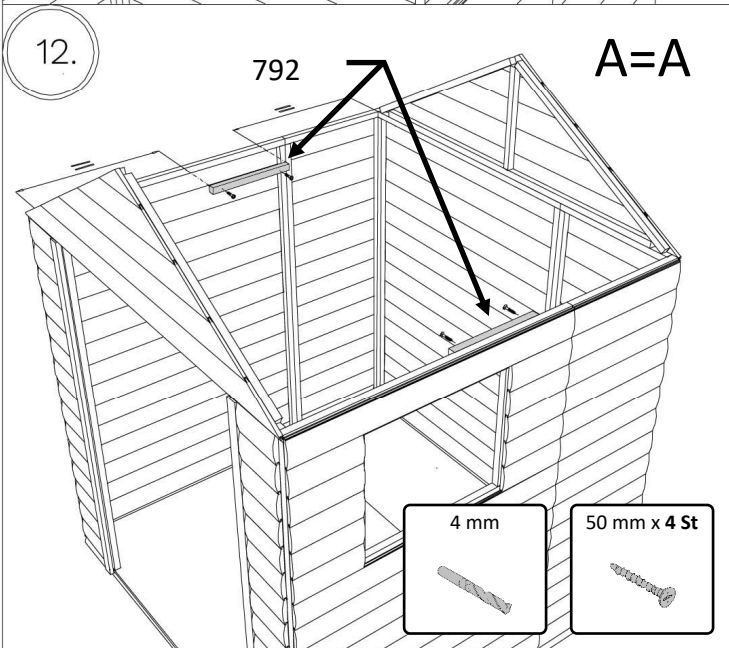
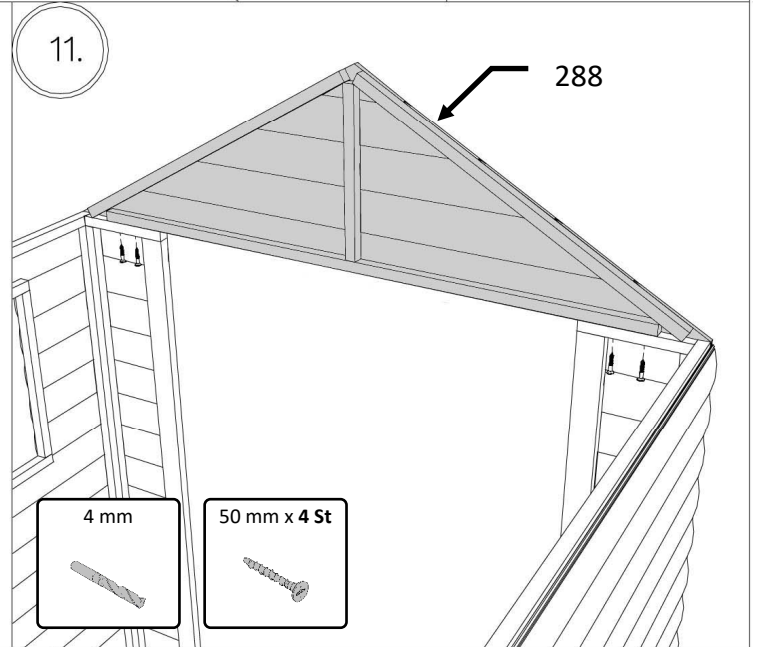
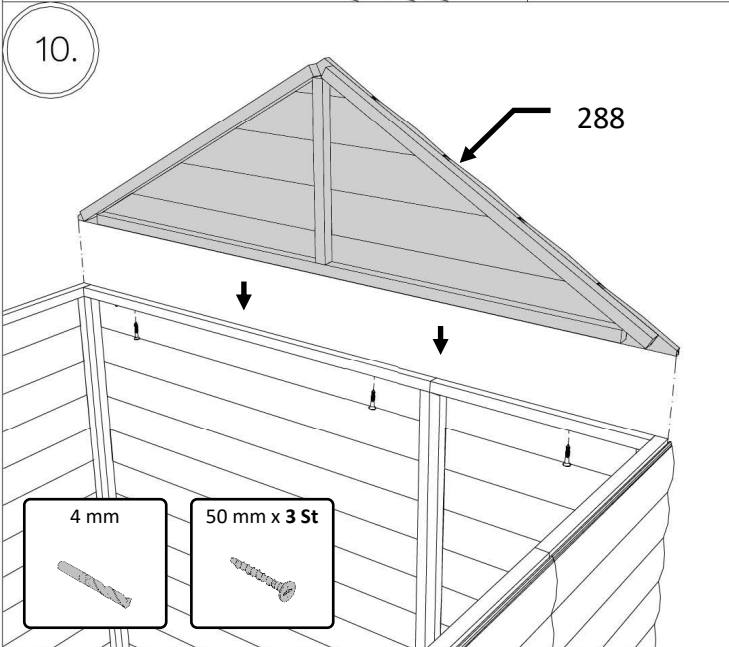
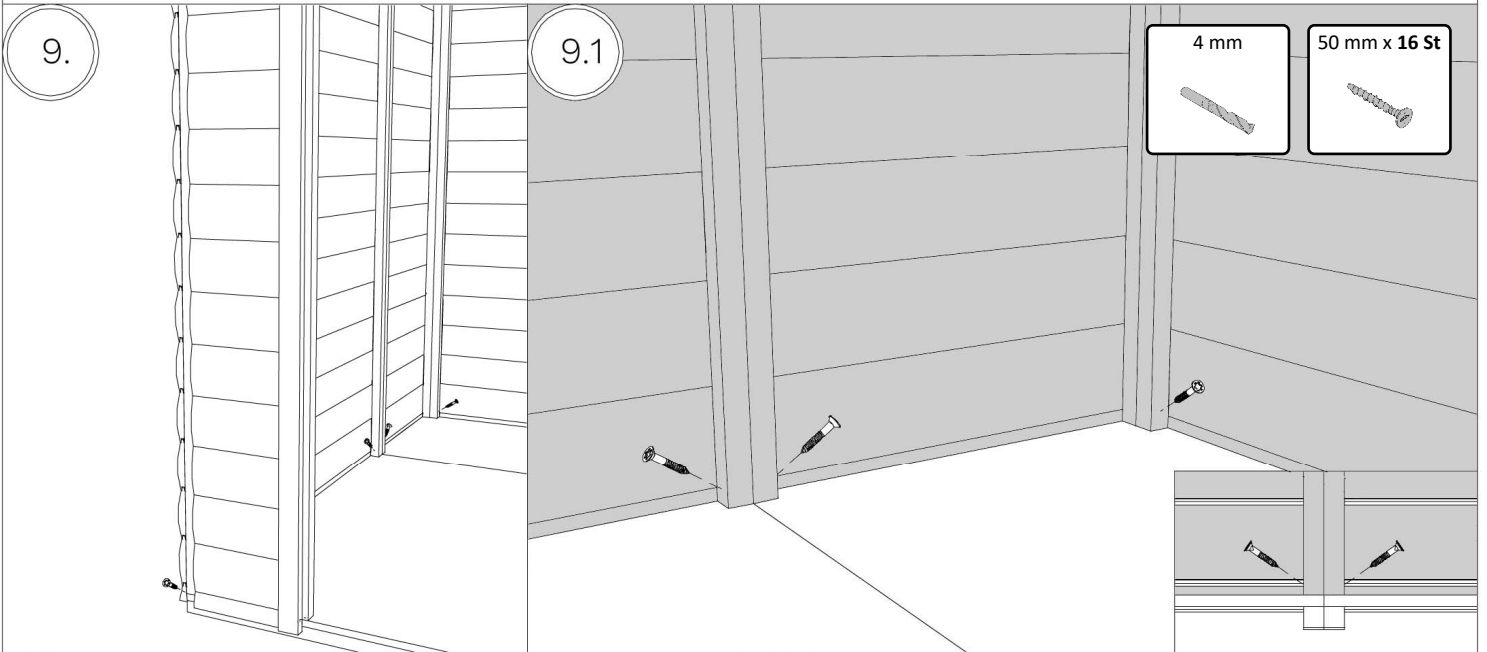
922



4.







14. NB!

35 mm x 8 St

2x

679

807

15.

2x

35 mm x 4 St

516

807

16.

35 mm x 4 St

2x

516

807

17.

4 mm

50 mm x 4 St

2x

18.

35 mm x 10 St

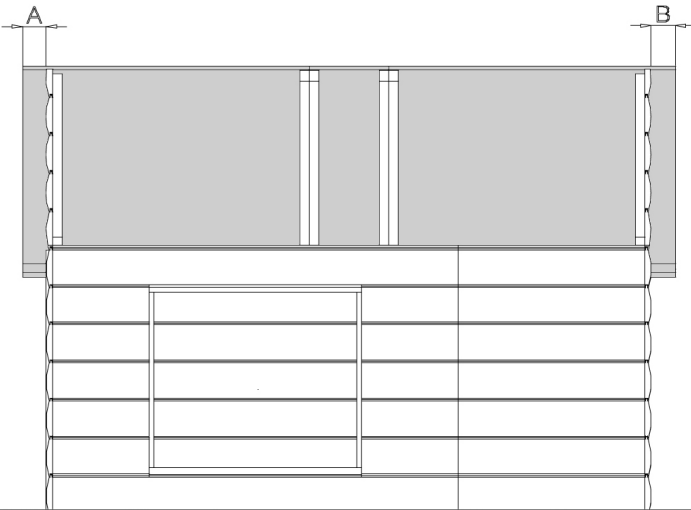
2x

802

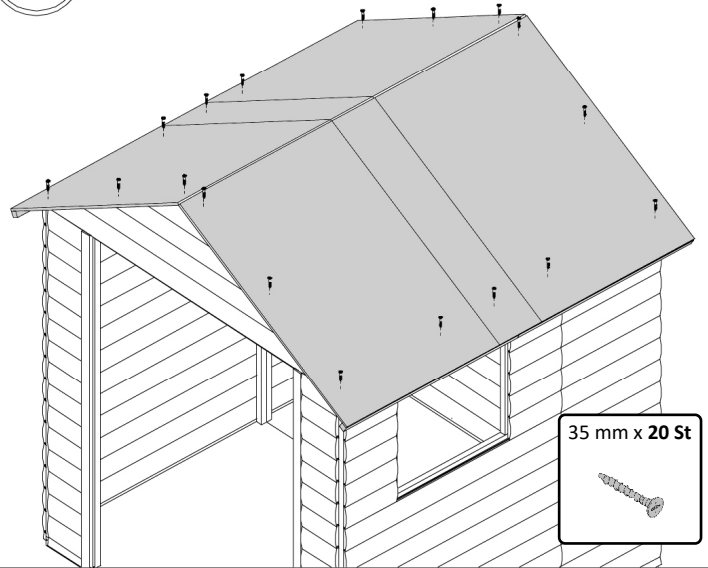
19.

19.1

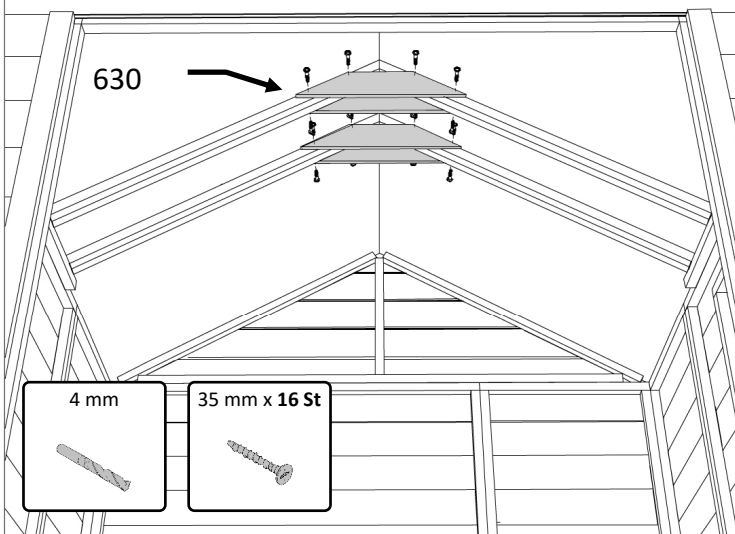
A=B



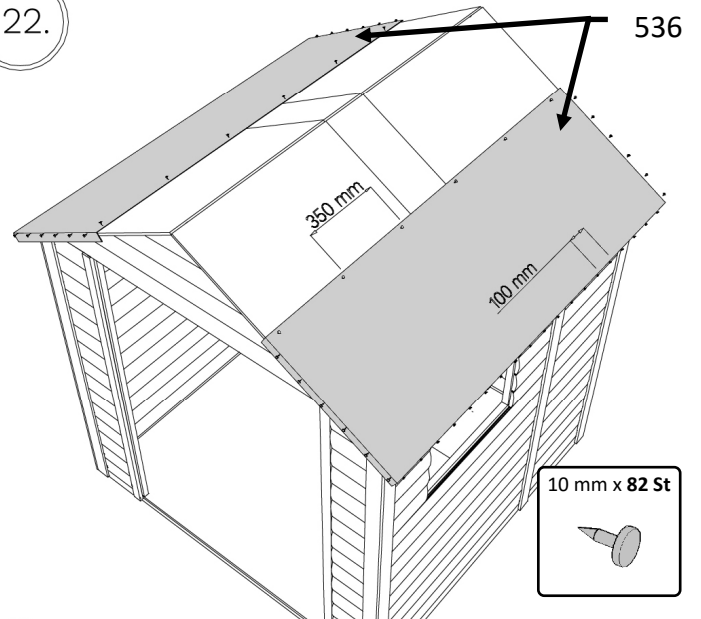
20.



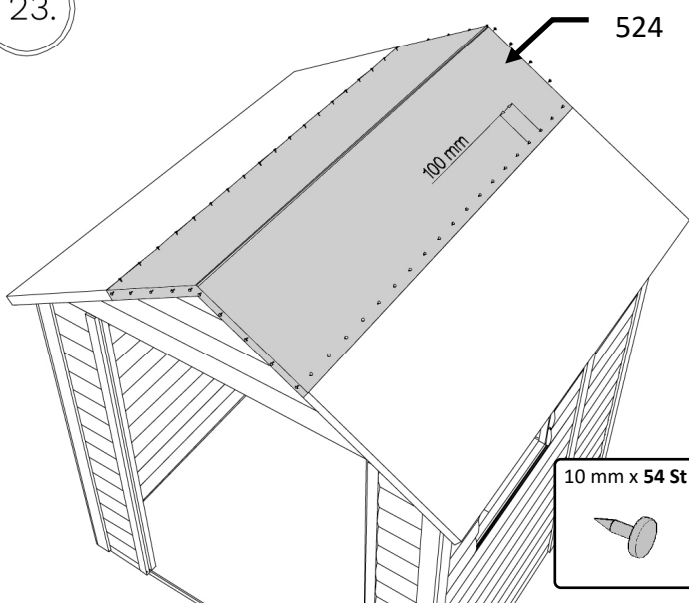
21.



22.



23.



24.

